

**SILENTAIRE**  
TECHNOLOGY

# COMPACT 106



## Parts List and Exploded View

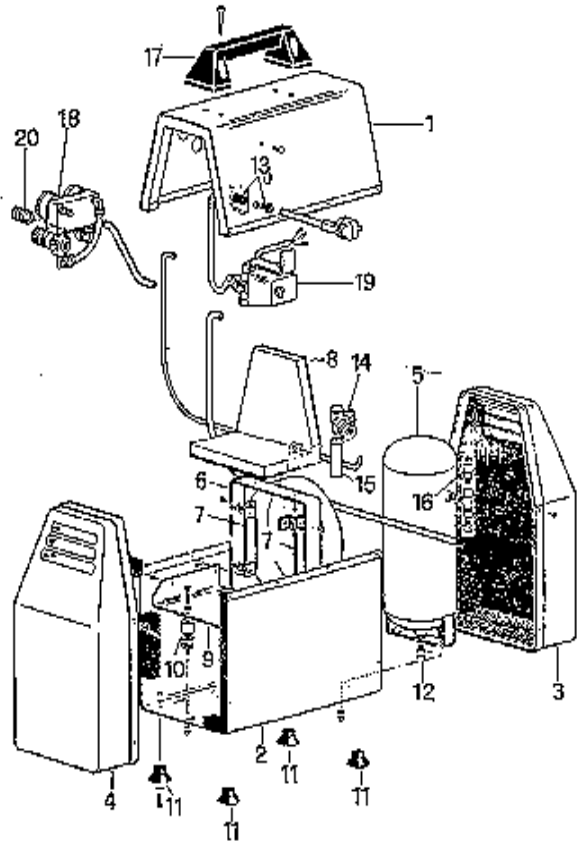
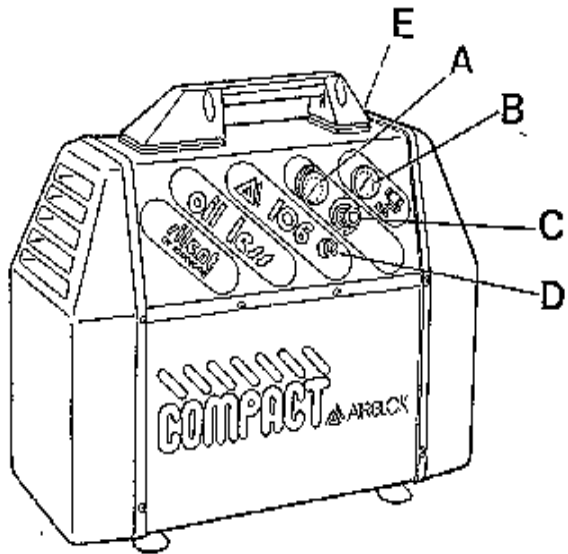
8614 Veterans Memorial Drive • Houston, TX 77088  
800-972-7668 • 832-327-7452 • Fax 832-327-0668  
[sales@silentaire.com](mailto:sales@silentaire.com)

# Parts List PANTHER Compact 106

<b>Ref.-#:</b>	<b>Part-#:</b>	<b>Description:</b>
1	5020510008	Cover for Housing
2	5020500008	Housing
3	5020520008	Rear Cover of Housing
4	5020530008	Front Cover of Housing
5	5154880008	Tank
6	7153010000	Bracket
7	5160500008	Bracket
8	5020540008	Bracket/Housing Support
9	5010880008	Bracket for Motor Mount
10	7364170000	Kit Antivibration
11	7270010000	Rubber Feet
12	7130090000	Drain Valve
13	7501050000	Protector for Power Cord
14	4090030000	Check-Valve
15	7234170000	Air-Hose
16	7192020000	Safety Release Valve
17	7280060000	Handle
18	4120170000	Manifold/Mounting Plate
19	C0048	Pressure Switch
20	7130270000	Fitting

# Exploded View SA Compact C106

- A Line Pressure Gauge
- B Tank Pressure Gauge
- C Regulator
- D Air Outlet
- E Pressure Switch and Power Cord (rear side)



## Parts List for Motor of PANTHER Compact 106

<b>Ref.-#:</b>	<b>Part-#:</b>	<b>Part Description:</b>
<b>1</b>	C0753	Bolt M6x40mm, UNI 5737
<b>2</b>	C0519	Fitting L M3/8"-M3/8"
<b>3</b>	C0743	Cylinder-Head
<b>4</b>	7090080000	Valve Head Pressure Delay
<b>5-7-9</b>	C0740	Kit Gaskets Valve Plate
<b>6-8-37</b>	C0741	Kit Valve Plate
<b>10</b>	C0744	Cylinder for Type 230V
	C0798	Cylinder for Type 115V
<b>11-12-13</b>	C0746	Kit Piston Rings
<b>14</b>	C0747	Piston
<b>15</b>	C0098	Bolt M8x20mm, UNI 5739
<b>16</b>	7028010000	Nut
<b>17-18-19-20</b>	C0803	Kit Housing-Cover
<b>21-22-23-24</b>	C0801	Housing Type 230V
	C0802	Housing Type 115V
<b>25</b>	C0717	Stator Type 230V
	C0800	Stator Type 115V
<b>26</b>	C0718	Bearing
<b>27</b>	C0712	Cover Rear
<b>28</b>	C0708	Tie-Rod
<b>29-30-31-32-33</b>	C0703	Kit Fan
<b>34</b>	C0769	Screw TC 5x18mm DIN 7516
<b>35</b>	C0770	Washer d=4mm UNI 4798A
<b>36</b>	C0738	Capacitor Type 230V
	C0799	Capacitor Yype 115V
<b>38</b>	4087010000	Air-Intake Filter
<b>39</b>	C0519	Fitting L M3/8"-M3/8"
<b>40</b>	7098010000	
<b>41</b>	7090010000	

# Motor DA1 to SA Compact C106

